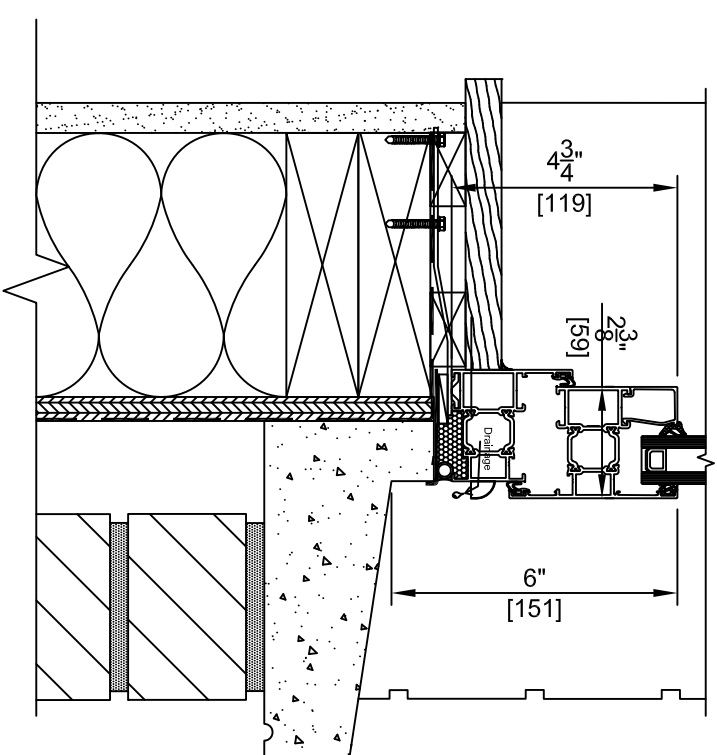
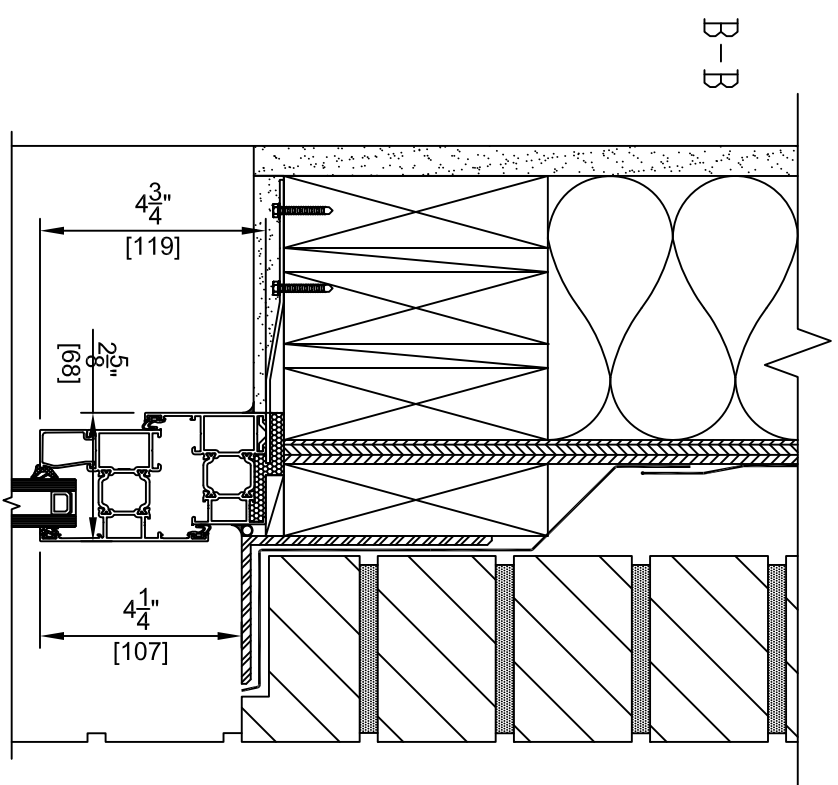
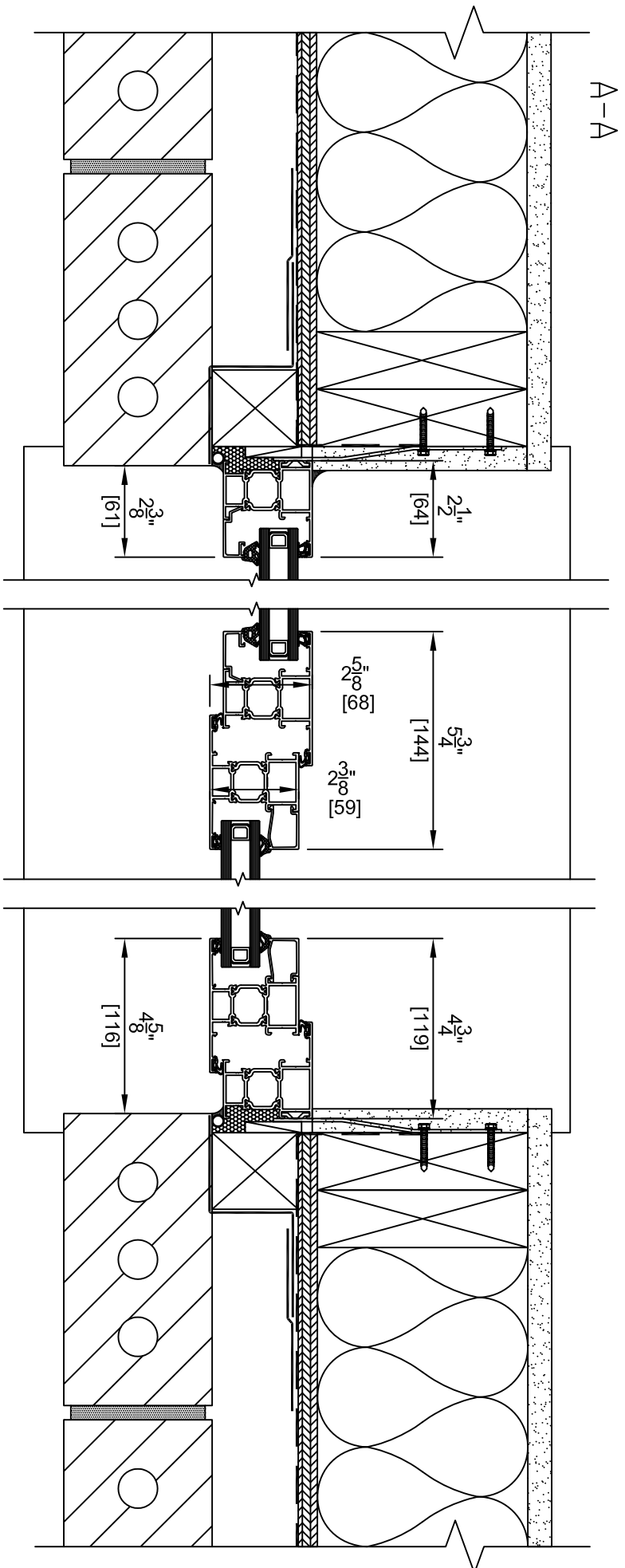
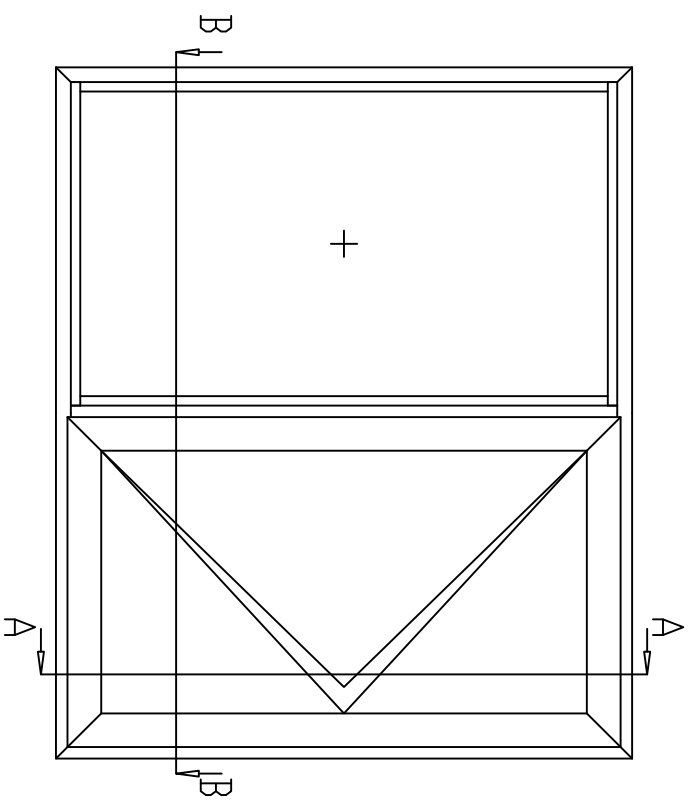


WOOD FRAME/BRICK CAVITY - CASEMENT OUTWARD SWING
STONE SILL



This drawing is the property of Reynaers, is reserved by them and the drawing is issued on the condition that it is not copied, reproduced, retained or disclosed to any unauthorised person either wholly or in part, without consent from Reynaers. This drawing is indicative only and Reynaers is not responsible for the accuracy of any information contained therein.



Date
View
EXTERIOR

Project Name : CS68 Casement Outward Swing
Release Version: Revision ##

Drawing No.
CS68-3