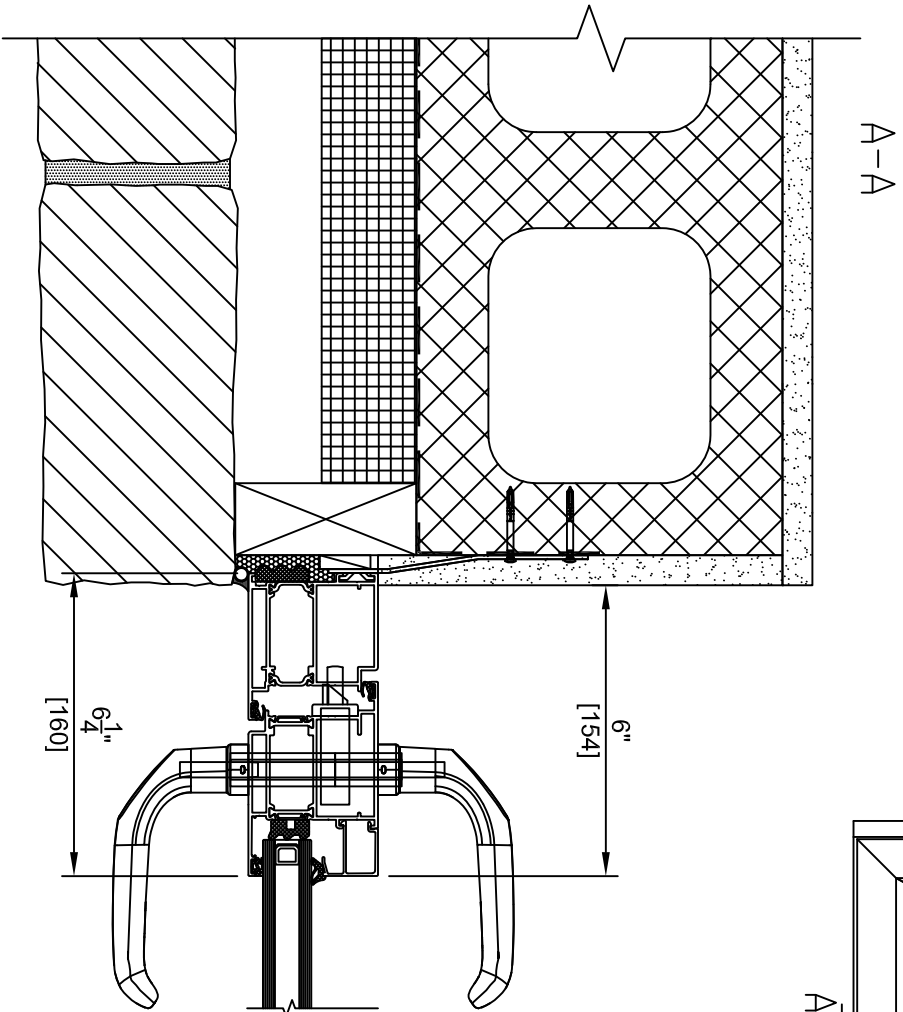
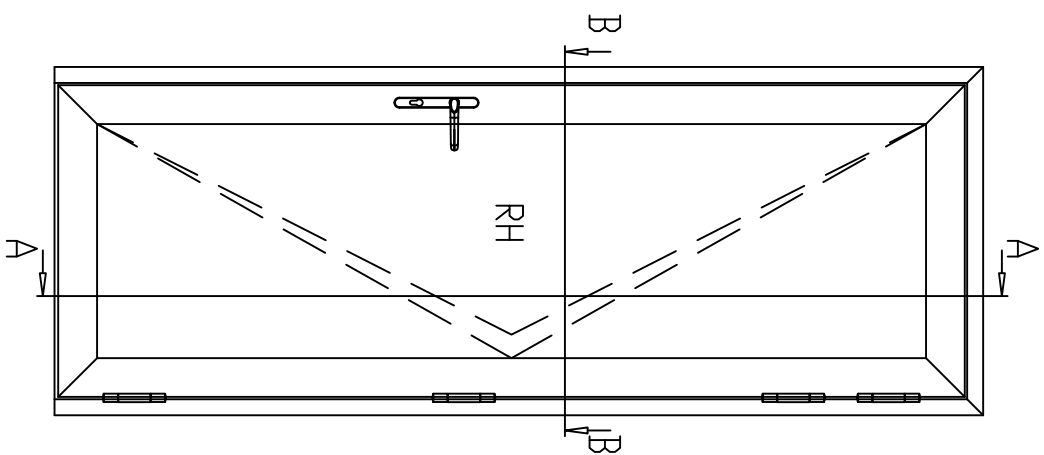
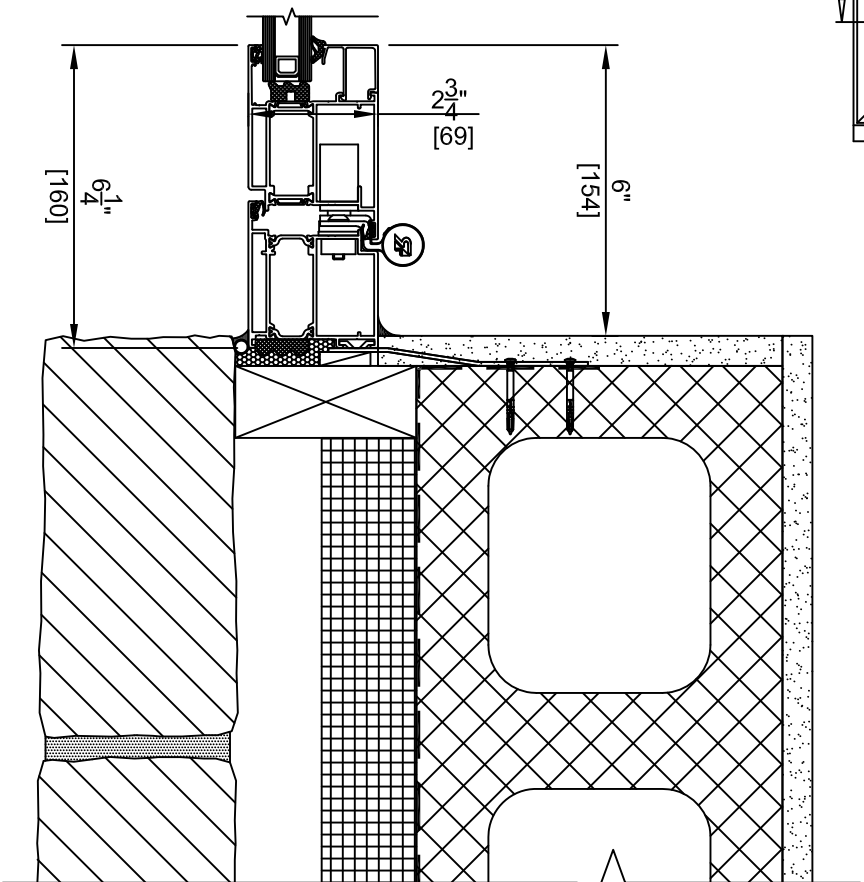


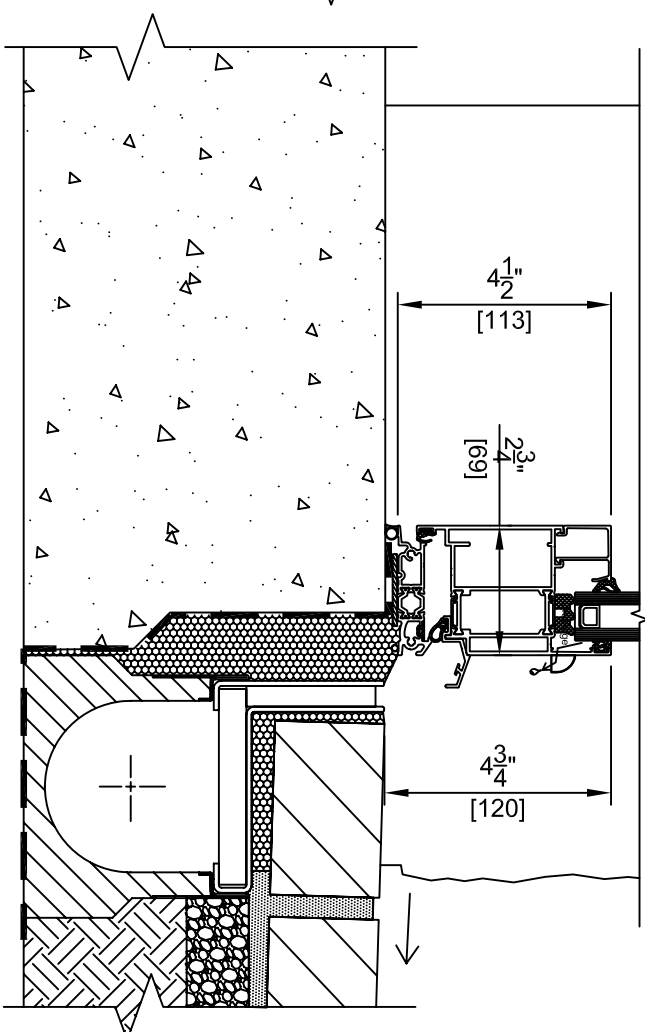
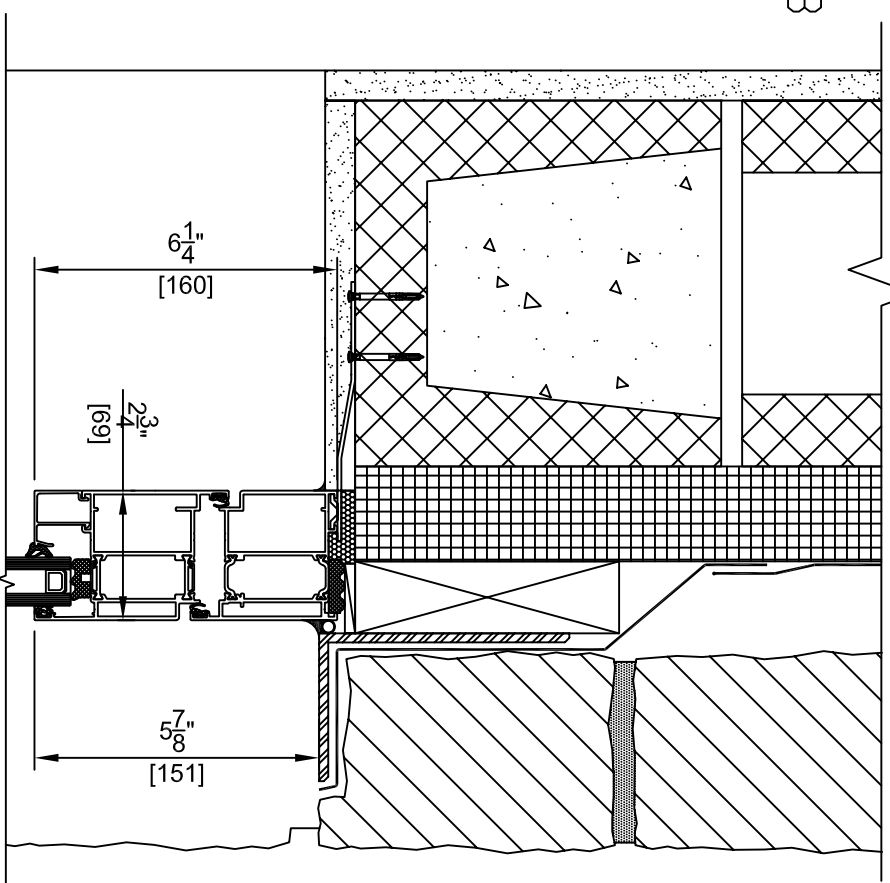
CMU/STONE CAVITY - INWARD SWING



A-A



B-B



This drawing is the property of Reynaers, is reserved by them and the drawing is issued on the condition that it is not copied, reproduced, retained or disclosed to any unauthorised person either wholly or in part, without consent from Reynaers. This drawing is indicative only and Reynaers is not responsible for the accuracy of any information contained therein.

Date
View EXTERIOR

Project Name : CS77 Inward Swing Door
Release Version: Revision ##

Drawing No. CS77-4