



This drawing is the property of Reynaers, is reserved by them and the drawing is issued on the condition that it is not copied, reproduced, retained or disclosed to any unauthorised person either wholly or in part, without consent from Reynaers. This drawing is indicative only and Reynaers is not responsible for the accuracy of any information contained therein.

CS 77

Concept System® 77

**BUILDING
INTEGRATION DETAIL**

CONSTRUCTION TYPE:
2x6 Frame

FINISH:
Stucco

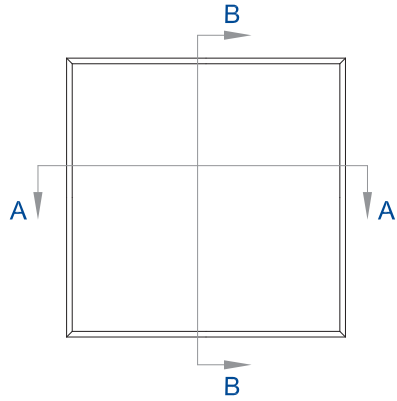
PROFILE/THRESHOLD:
Nail-On Fin. Frame

OPENING CONFIGURATION:
N/A

REVISION NO. - DATE
2 | 2019AUG06

SHEET NAME:
**Fixed Window
2x6 - Stucco
Nail-On Fin. Frame**

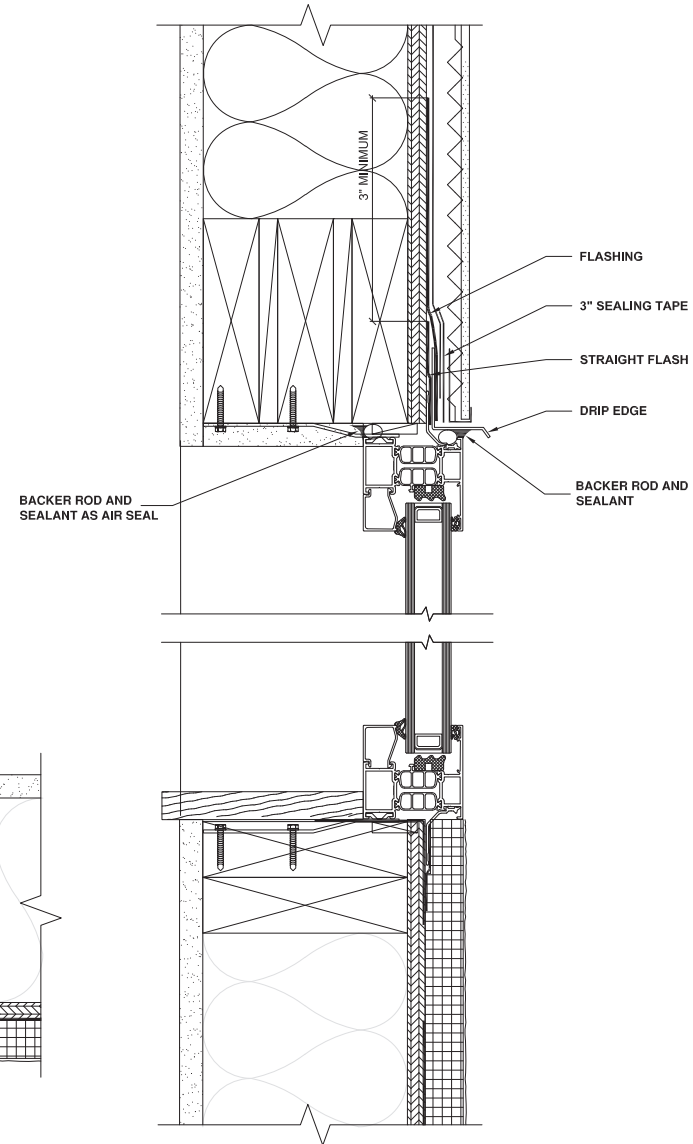
DRAWING NO.
CS 77 | 012



EXTERIOR ELEVATION

SCALE: N.T.S

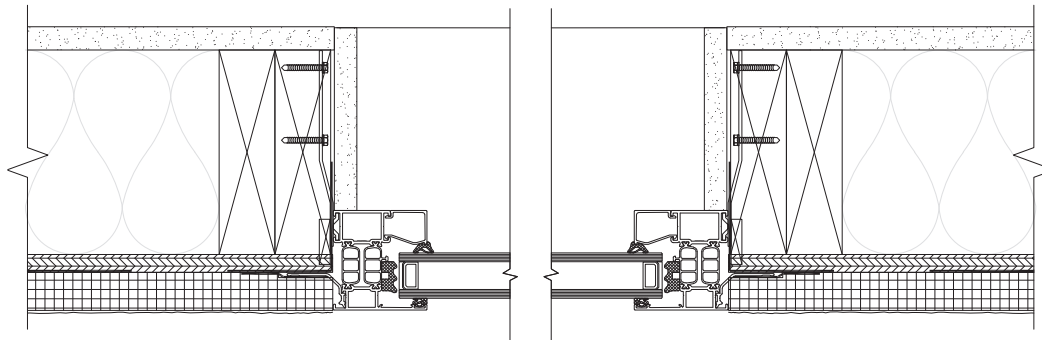
1



SECTION B-B: HEAD / SILL

SCALE: N.T.S

3



SECTION A-A: JAMBS

SCALE: N.T.S

2

Fixed Window | 2x6 - Stucco | Nail-On Fin. Frame