



This drawing is the property of Reynaers, is reserved by them and the drawing is issued on the condition that it is not copied, reproduced, retained or disclosed to any unauthorised person either wholly or in part, without consent from Reynaers. This drawing is indicative only and Reynaers is not responsible for the accuracy of any information contained therein.

**SL 38**

Slim Line 38

**BUILDING  
INTEGRATION DETAIL**

CONSTRUCTION TYPE:  
**2x6 Frame**

FINISH:  
**Stucco**

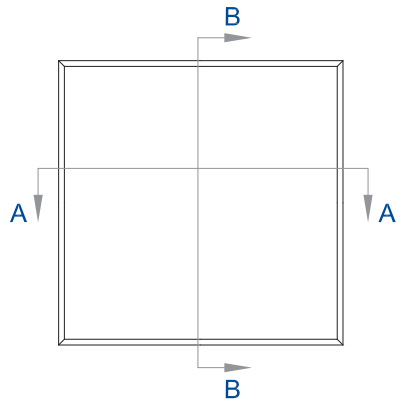
PROFILE/THRESHOLD:  
**Nail-On Fin. Frame**

OPENING CONFIGURATION:  
**N/A**

REVISION NO. - DATE  
**2 | 2019AUG06**

SHEET NAME:  
**Fixed Window  
2x6 - Stucco  
Nail-On Fin. Frame**

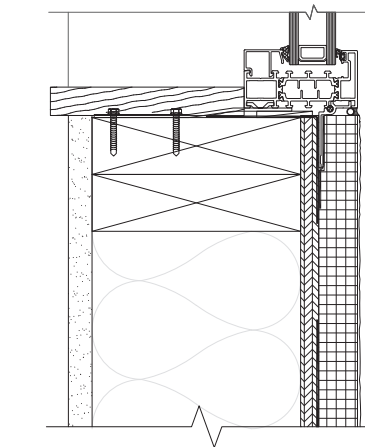
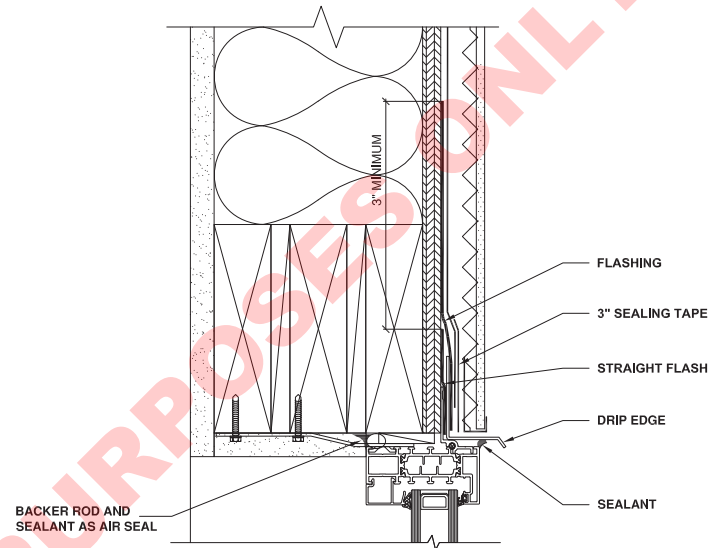
DRAWING NO.  
**SL 38 | 011**



**EXTERIOR ELEVATION**

SCALE: N.T.S

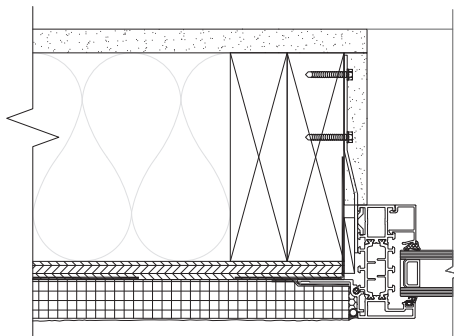
1



**SECTION B-B: HEAD / SILL**

SCALE: N.T.S

3



**SECTION A-A: JAMBS**

SCALE: N.T.S

2

**Fixed Window | 2x6 - Stucco | Nail-On Fin. Frame**

FOR ILLUSTRATIVE PURPOSES ONLY



**R**

**REYNAERS**  
aluminium

This drawing is the property of Reynaers, is reserved by them and the drawing is issued on the condition that it is not copied, reproduced, retained or disclosed to any unauthorised person either wholly or in part, without consent from Reynaers. This drawing is indicative only and Reynaers is not responsible for the accuracy of any information contained therein.

**SL 38**

Slim Line 38

**BUILDING  
INTEGRATION DETAIL**

CONSTRUCTION TYPE:  
**2x6 Frame**

FINISH:  
**Stucco**

PROFILE/THRESHOLD:  
**Nail-On Fin. Frame**

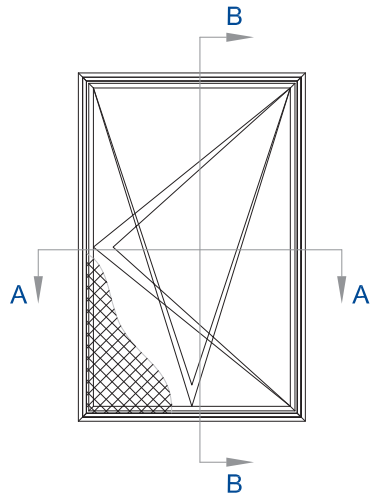
OPENING CONFIGURATION:  
**N/A**

REVISION NO. - DATE  
**2 | 2019AUG06**

SHEET NAME:  
**Operable Window  
2x6 - Stucco  
Open In w/Nail-On Fin. Frame**

DRAWING NO.

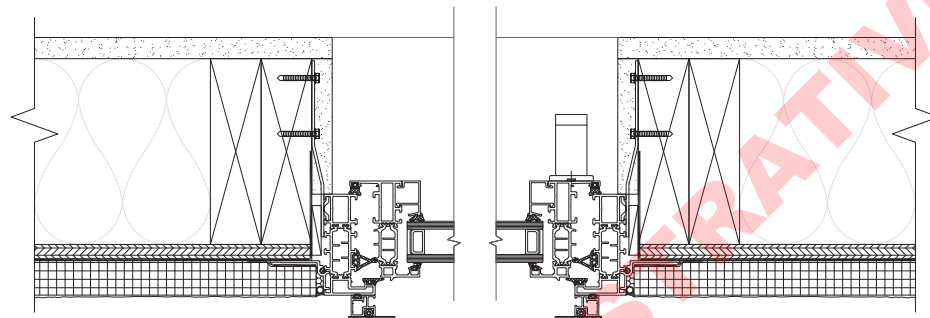
**SL 38 | 013A**



**EXTERIOR ELEVATION**

SCALE: N.T.S

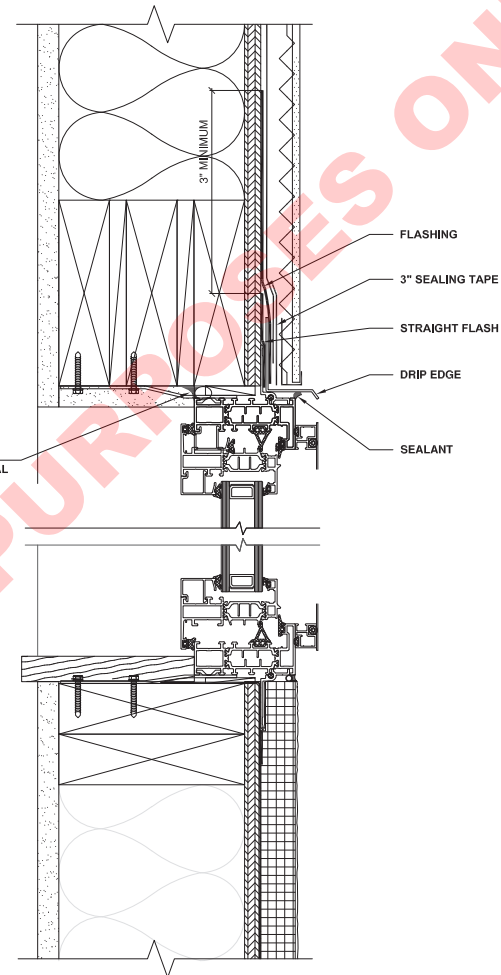
1



**SECTION A-A: JAMBS**

SCALE: N.T.S

2



**SECTION B-B: HEAD / SILL**

SCALE: N.T.S

3

**Operable Window | 2x6 - Stucco | Open In w/Nail-On Fin. Frame**

FOR ILLUSTRATIVE PURPOSES ONLY